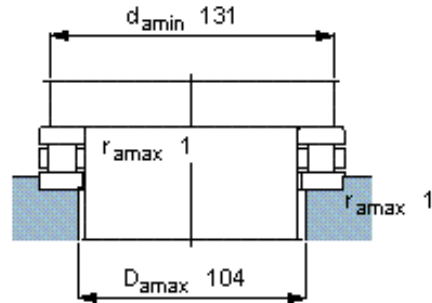
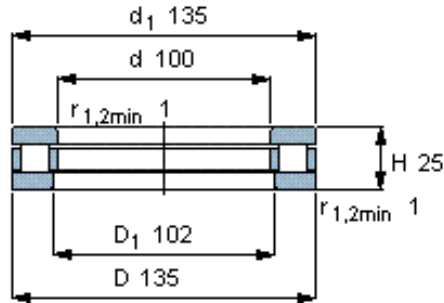
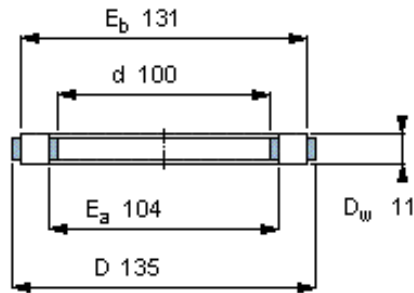


Principal dimensions			Basic load ratings		Speed ratings		Designations	
d	D	H	dynamic C	static C0	Reference speed	Limiting speed	Complete bearing	Roller and cage thrust assembly
mm			kN		r/min		-	
100	135	25	156	630	1200	2400	81120 TN	K 81120 TN

Complete bearing



Roller and cage thrust assembly



K 81120 TN

Mass kg 0,25

Appropriate components

Shaft washer
WS 81120

Housing washer
GS 81120

Universal washer
LS 100135

